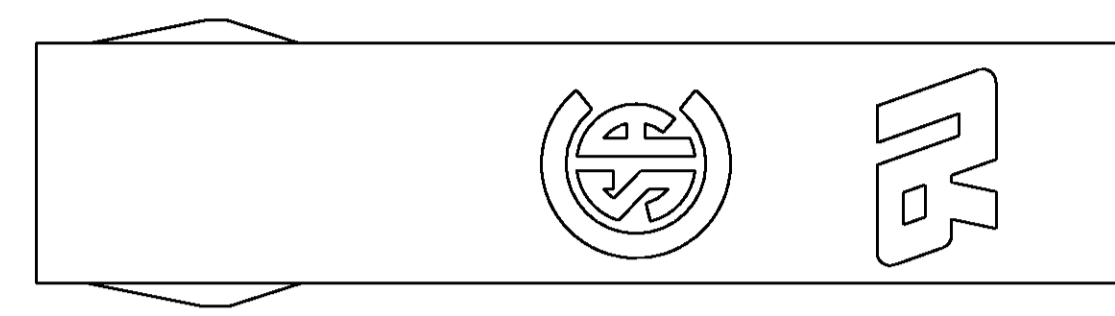
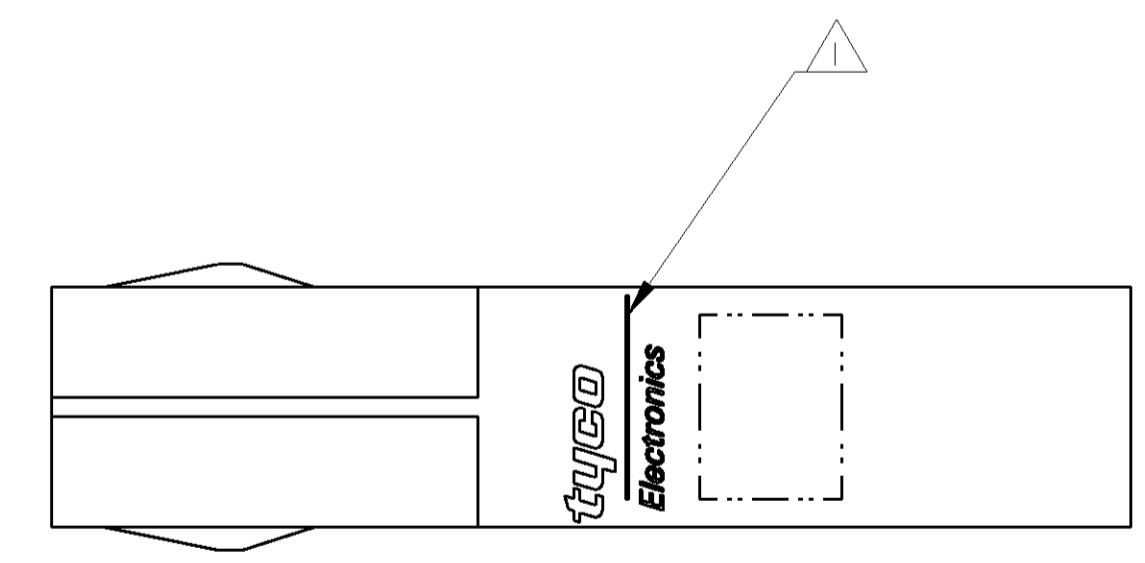
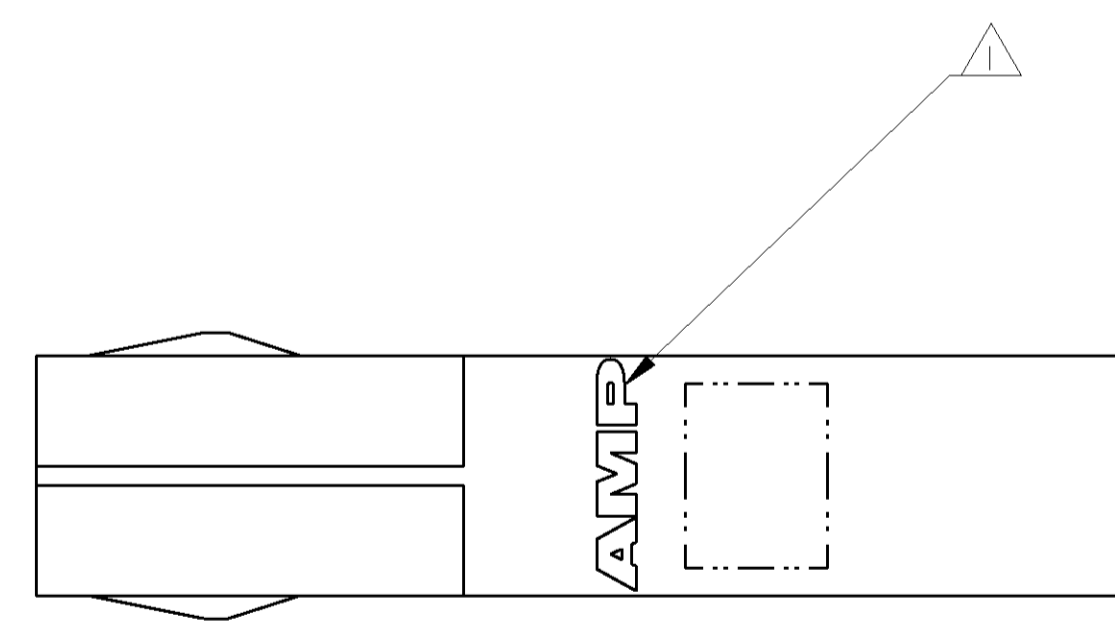
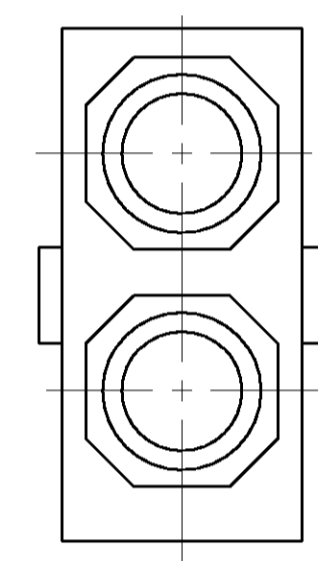
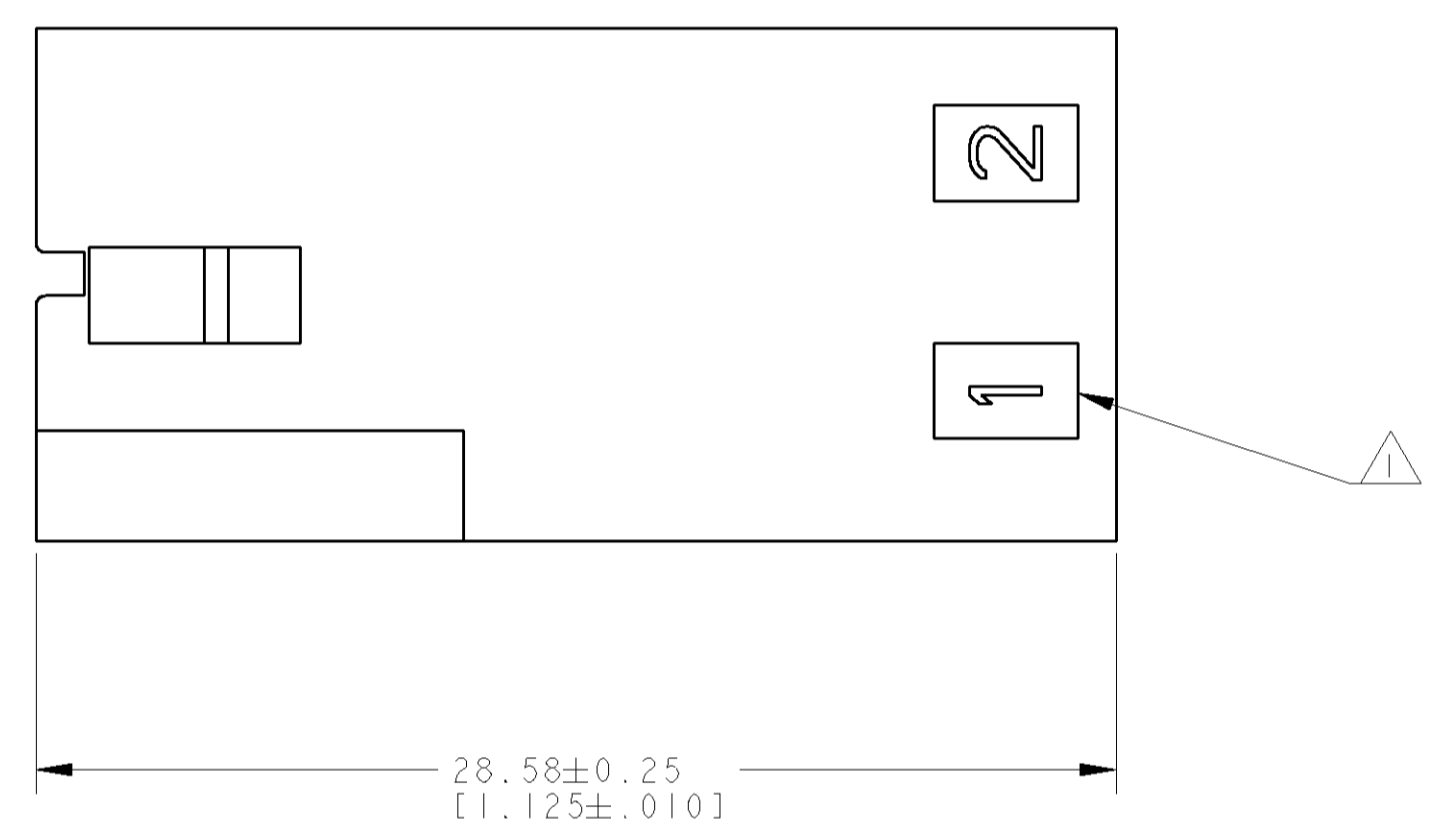
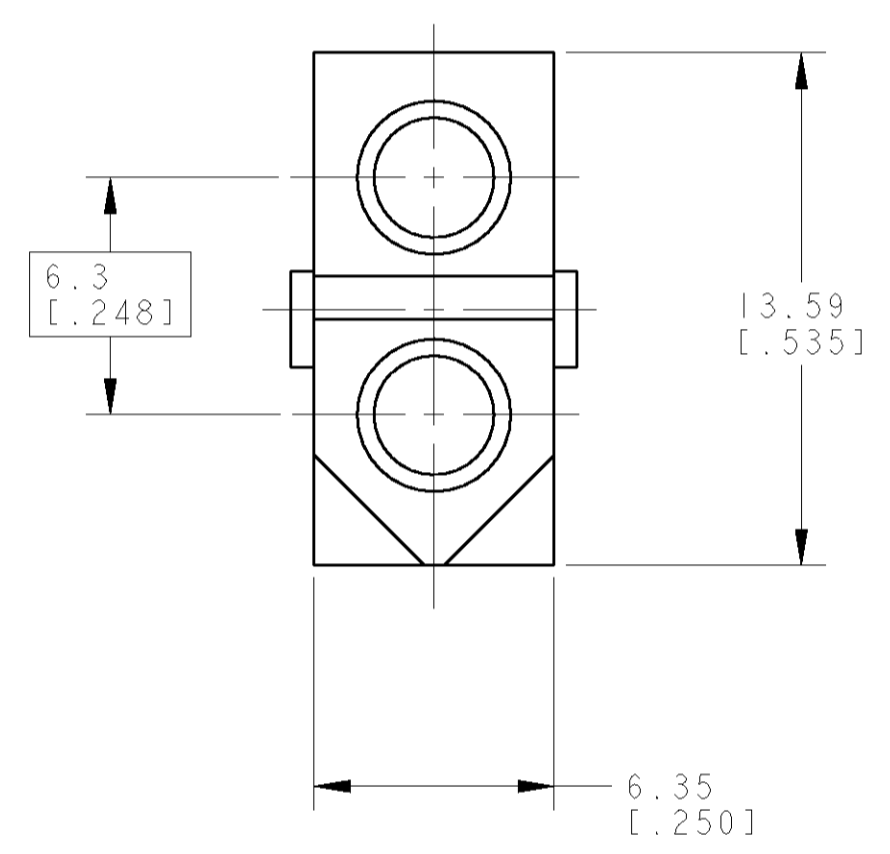


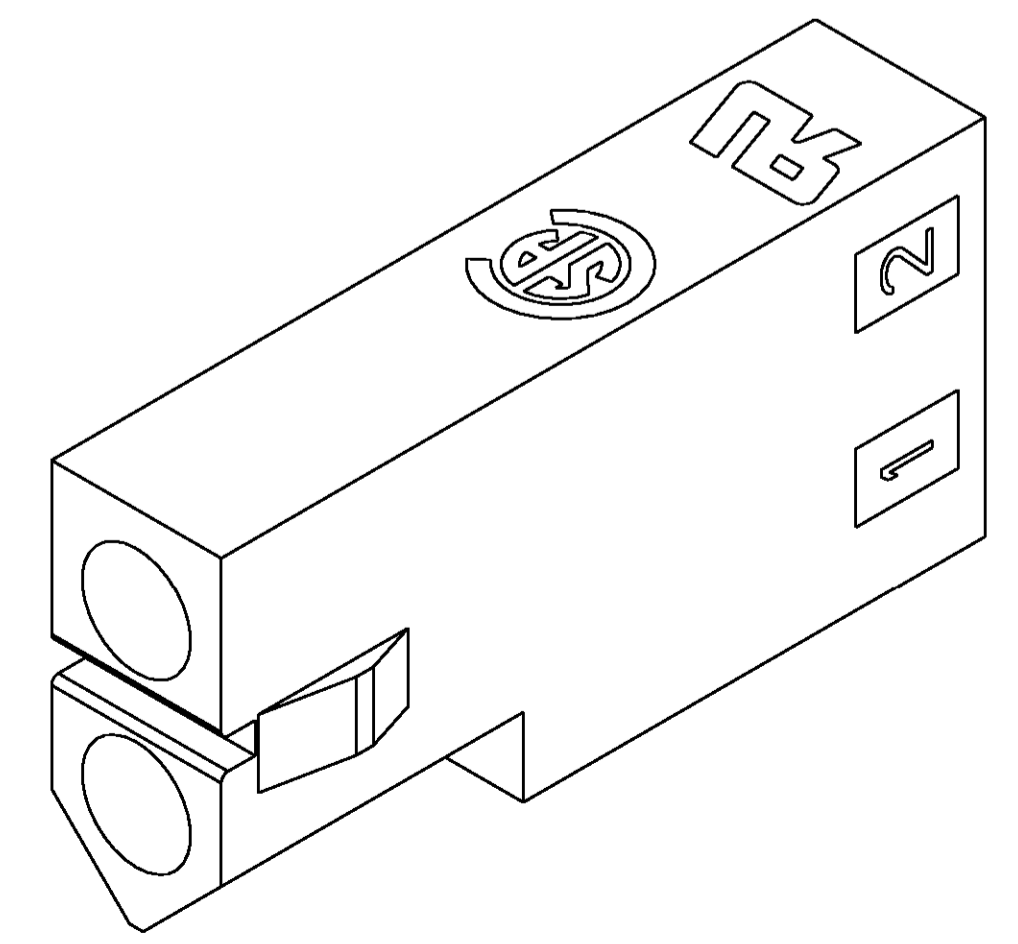
LOC		DIST		REVISIONS			
CM	00	P	LTR	DESCRIPTION	DATE	DWN	APVD
		L		REVISED PER 0638-1027-04	08DEC04	KW	DC



△ AMP OR TYCO ELECTRONICS LOGO AND CIRCUIT NUMBERS LOCATED APPROXIMATELY AS SHOWN.



OPTIONAL CONSTRUCTION



METRIC

770065-1  
PART NUMBER

<small>THIS DRAWING IS UNPUBLISHED. RELEASED FOR PUBLICATION. THIS DRAWING IS THE PROPERTY OF TYCO ELECTRONICS CORPORATION. IT IS TO BE USED ONLY FOR THE PURPOSES AND ORGANIZATION SPECIFIED HEREON. IT IS NOT TO BE REPRODUCED OR TRANSMITTED IN ANY FORM OR BY ANY MEANS, ELECTRONIC OR MECHANICAL, INCLUDING PHOTOCOPYING, RECORDING, OR BY ANY INFORMATION STORAGE AND RETRIEVAL SYSTEM, WITHOUT THE WRITTEN PERMISSION OF TYCO ELECTRONICS CORPORATION.</small>		DWN B. WHITAKER 08DEC2004 ENR D. COLEY 08DEC2004 APVD D. COLEY 08DEC2004	Tyco Electronics Harrisburg, PA 17105-3608
DIMENSIONS: mm [INCHES]	TOLERANCES UNLESS OTHERWISE SPECIFIED: 0 PLC ± 1 PLC ± 2 PLC ±0.13 [1.005] 3 PLC ± 4 PLC ± ANGLES ±40° 30'	NAME D. COLEY PRODUCT SPEC APPLICATION SPEC WEIGHT CUSTOMER DRAWING	NAME RECEPTACLE, 2 CIRCUIT, .093 PIN AND SOCKET SIZE CAGE CODE DRAWING NO A100779C=770065 RESTRICTED TO SCALE 5:1 SHEET 1 OF 1 REV L